



Outdoor LED Beacon D6

* Overview

The small alarm lights are waterproof , durable and high strength,made of high-quality resin. Suitable for the harsh environments.The scientific parabolic mirror diffuses the light far away.

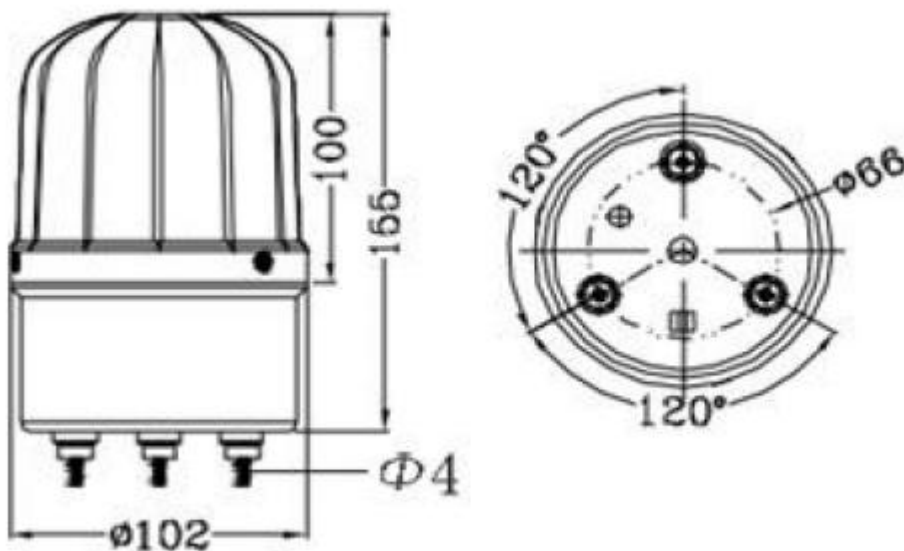
* Technical spec

1. Working voltage: DC12V DC24V AC220V AC380V
- 2.Power frequency: 50Hz/60Hz
3. Light color: red/yellow/green/blue optional
4. Decibel level: None
6. Working mode: 1101 type general warning light, energized and rotated to emit light
7. Type of light source:light bulb
8. Police light power: 0.5W
- 9.Material: lampshade-PS base-ABS reflector-ABS

* Precautions

1. When installing, check whether the power supply matches the rated voltage of the alarm
2. The warning light should face upwards during installation, using screw-fixed installation or magnetic suction
3. Make sure the wiring is accurate, and then start the power supply (DC should be distinguished between positive and negative)
4. LTE: Screw type LTD: Magnetic type
5. Product size (according to the actual product) The actual product shall prevail:

* Size:



Web: www.koontech.com

Email: marketing@koontech.com

Tel: (HK Office) +852 9068 2799 / (Shenzhen Office) +86 755 2744 8753

Shenzhen Office: T3 1001, Yifang Center, Baoan, Shezhen, China

HK Office: Unit C, 2/F, Ka To Factory Building, 2 Cheung Yue Street, Cheung Sha Wan, Kowloon, Hong Kong

Factory: KNTECH Building. Phoenix Mountain, Limhai Zone, Shajiao Community, Humen, Dongguan, China